

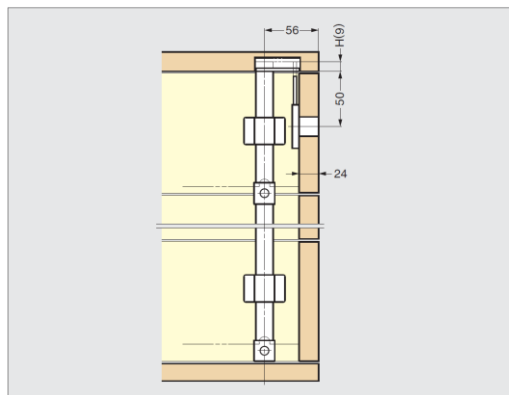
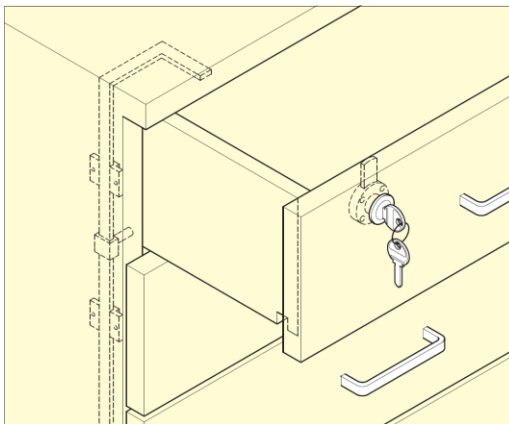
## GALF1800 Central Locking System

### Features

- Locks all drawers on one side simultaneously
- Reversible key
- Able to detach the key at any angle within 360°
- 1 million key changes available
- Master key system available on request (max. 2,520 key changes per master key)
- Cylinder to be applied to the top shelf, front or back of board
- 4 or more lock parts are sold separately
- Depth of the shelf can be adjusted according to the position of the lock pin
- Right-handed / left-handed bar is available

### Parts Included

- Countersunk head wood screw 2.7×16
- Pan head wood screw 2.7×13

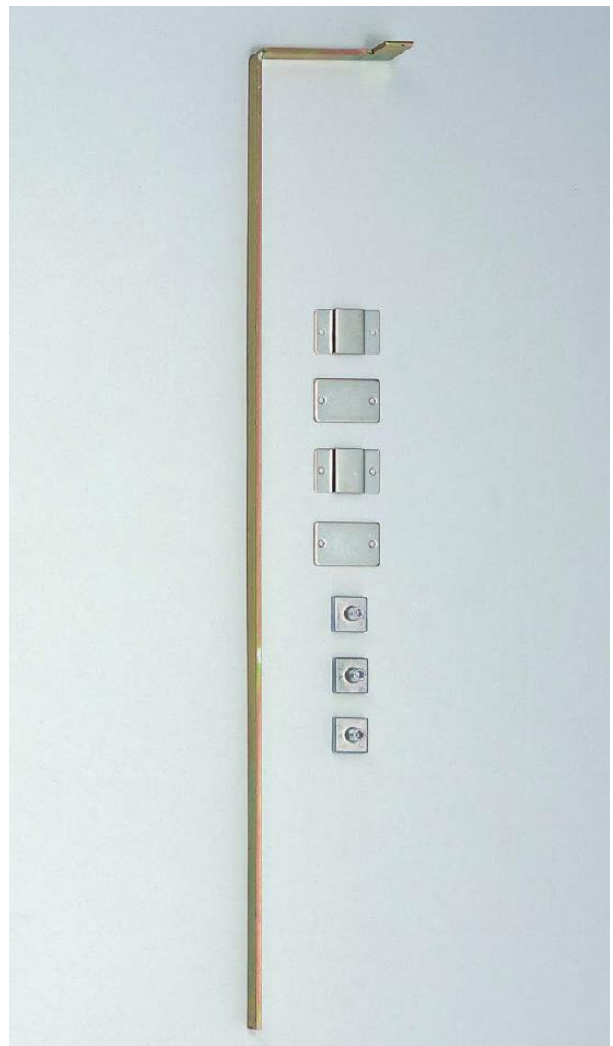


### Sold Separately

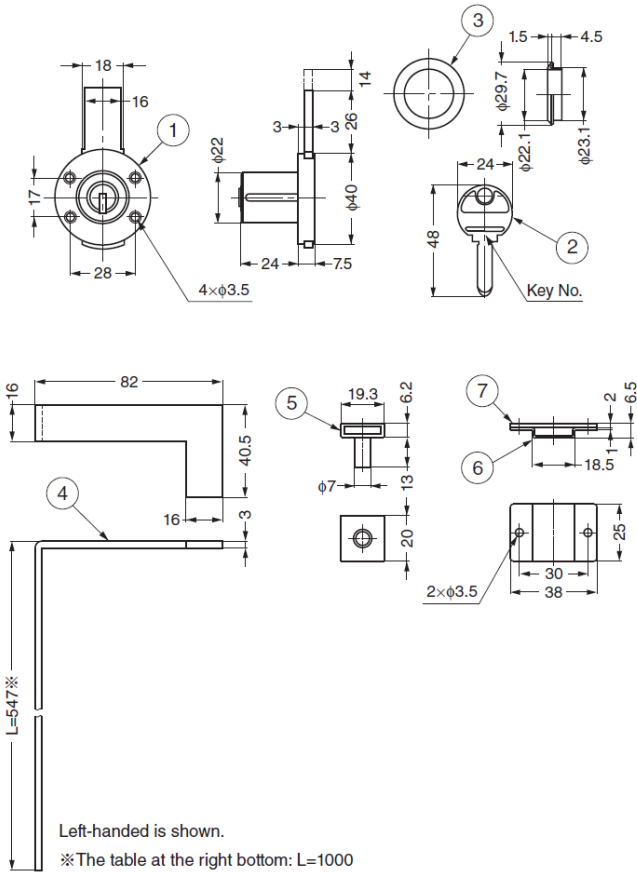
- Parts set **GALFR, GALFL**
- Separate parts **GALS-LP, GALS-G, GALS-GP**

### Optional Parts

- Locking peg **GALS-KP**
- Bar **GALFBAR1000**



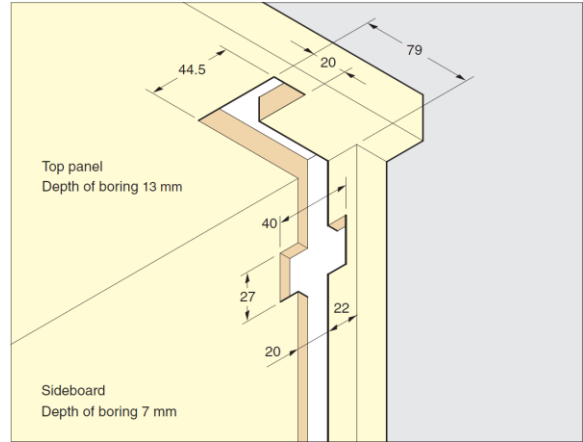
Parts set GALFL (sold separately)



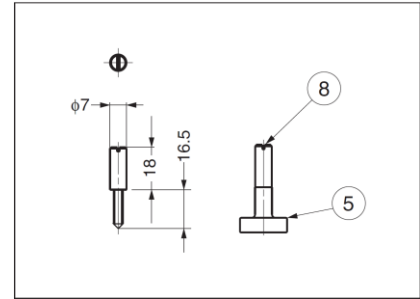
Left-handed is shown.

※ The table at the right bottom: L=1000

### Cut Out Dimensions



Use Locking Peg inserted into ⑤ for the application with drawer slides



No.	Part Name	Material	Finish
①	Body	Brass	Satin Nickel
②	Key	Brass	Nickel
③	Ring	Brass	Satin Nickel
④	Guide Bar (Sold Separately)	Steel	Yellow Zinc Chromate
⑤	Lock Pin (Sold Separately)	Zinc Alloy (ZDC)	Yellow Zinc Chromate
⑥	Guide (Sold Separately)	Steel	Nickel
⑦	Guide Plate (Sold Separately)	Steel	Nickel
⑧	Locking Peg (Option)	Steel	Nickel

### Cylinder Lock (① ~ ③)

Part No.	Finish	Cylinder Diameter	Stroke of Bar	Door Thickness
GALF1800-B	Keyed Differently	Ø 22	14	24
GALF1800-D	Keyed Alike			

### Parts Set (④ ~ ⑦) (Sold Separately)

Part No.	Left/Right
GALFR	Right
GALFL	Left

### Parts Set (⑤ ~ ⑦) (Optional Parts) For drawers over 4

Part No.	Description	No.
GALS-LP	Lock Pin for Auto-Lock	⑤
GALS-G	Guide for Auto-Lock	⑥
GALS-GP	Guide Plate for Auto-Lock	⑦

### Guide Bar (④ L=1000) (Optional Parts)

Part No.	Left/Right
GALFBAR1000R	Right
GALFBAR1000L	Left

### Locking Peg for All Lock (⑧) (Optional Parts)

Part No.
GALS-KP